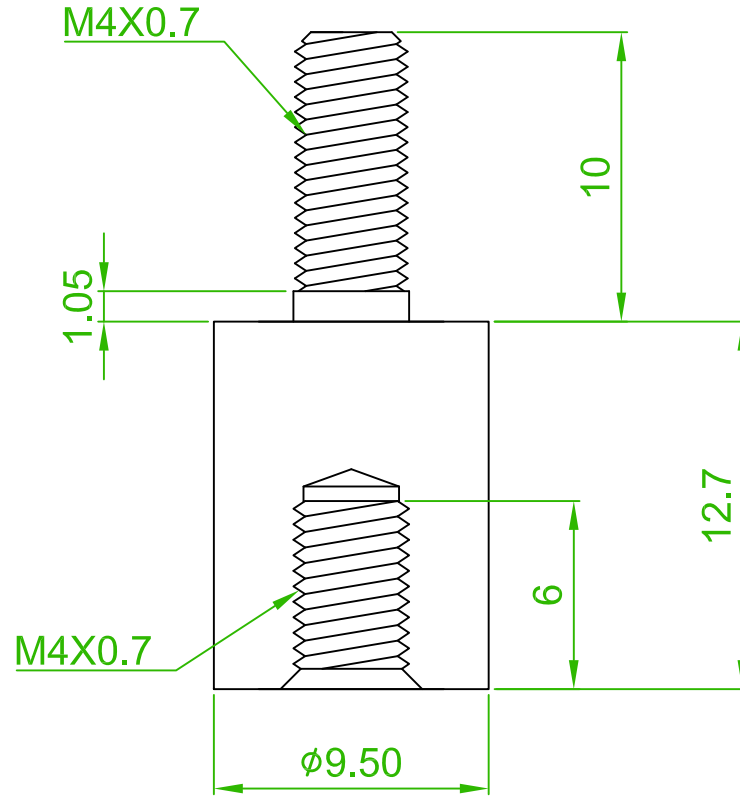
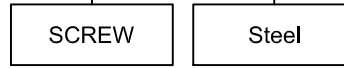


SPECIFICATION

Material: Ny66, UL94V-0
 Finish: Steel/Zinc Plated
 Color: Natural

ORDER INFORMATION

3 C S C - 2 2 7 1 8 0 0 7



DIM.	TOL
5mm DOWN	±0.2
5~20mm	±0.3
20~40mm	±0.4
40~60mm	±0.5
60~100mm	±0.8
100mm UP	±1.0

REV.	ECN NO. OR DESCRIPTION	REVISED	DATE

 糧德精密有限公司 Amtek Technology Co., Ltd. TEL: 886-2-2260-6878 FAX: 886-2-2260-7079	品名 TITLE	SCREW			頁數 Page	1/1
	品號 PART NO.	3CSC-22718007			繪圖 DRAWN	Mia 2018/03/26
	圖號 DRAWING NO.	GW018-MD013	版本 REV.	A	核對 CHECKED	Josh 2018/03/26
	客戶品號 CUSTOMER P/N		比例 SCALE	None	承認 APPROVED	Jason 2018/03/26
	公差 TOLERANCE		單位 UNIT	mm	THIRD ANGLE PROJECTION	