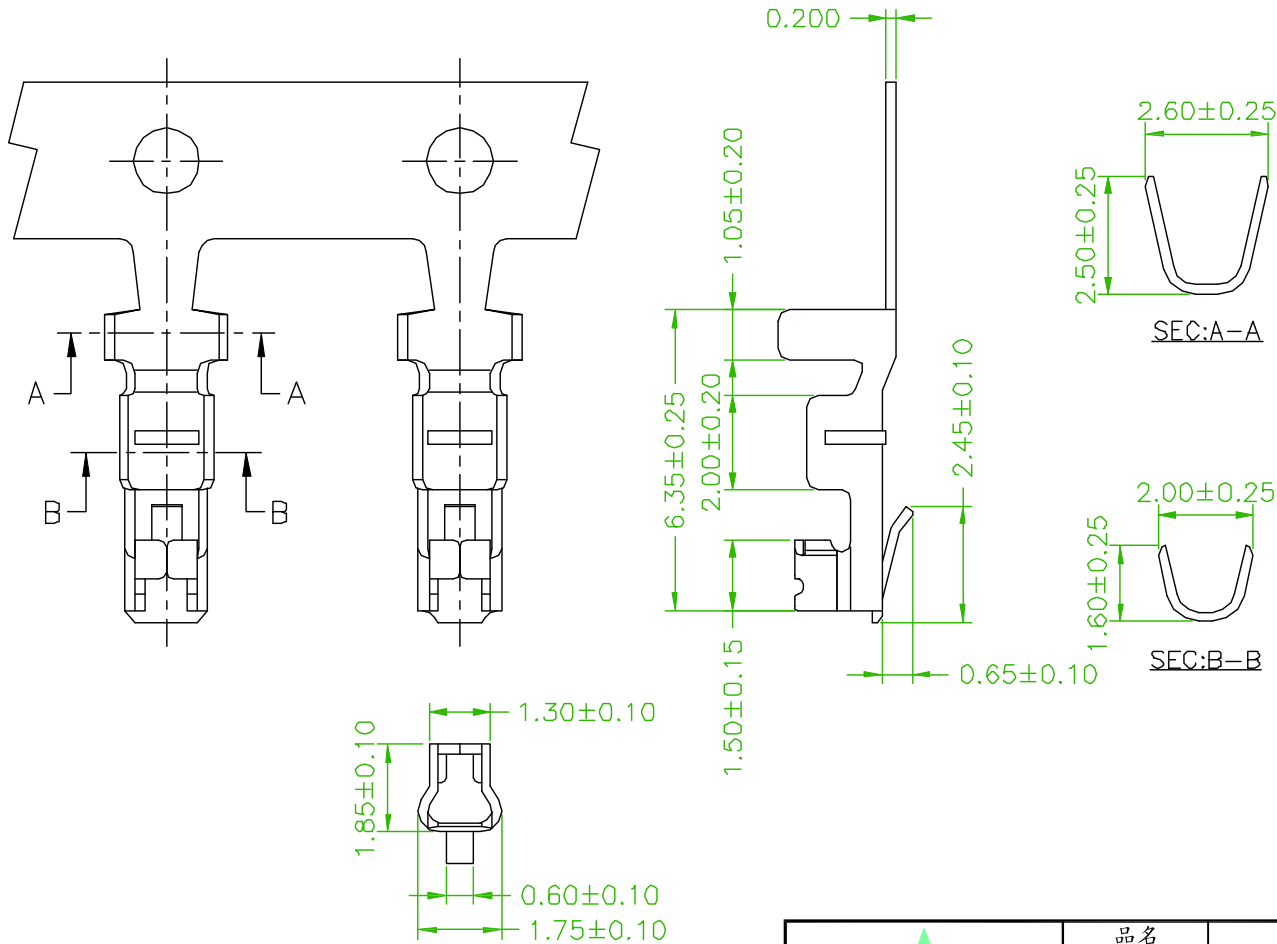
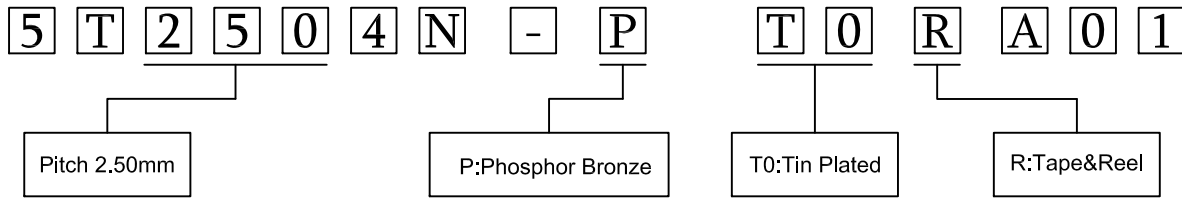


# ORDER INFORMATION



Old Part No. : 2504-T-L

Wire Range	Insulation O.D.	Material	Finish	Qty/reel
AWG#22-#28	1.70mm(max)	Phosphor Bronze	Tin Plated	10,000pcs

**糧德精密有限公司**  
 Amtek Technology Co., Ltd.  
 TEL: 886-2-2260-6878  
 FAX: 886-2-2260-8030

品名 TITLE	2.5mm TERMINAL				頁數 Page	1/1
品號 PART NO.	5T2504N-PT0RA01				繪圖 DRAWN	Jeff 2016/11/21
圖號 DRAWING NO.	GW090-JF034	版本 REV.	A	核對 CHECKED	Jonny 2016/11/21	
客戶品號 CUSTOMER P/N		比例 SCALE	None	承認 APPROVED	Aaron 2016/11/21	
公差 TOLERANCE	.X ± 0.25 .XX ± 0.15	單位 UNIT	mm	THIRD ANGLE PROJECTION		

REV.	ECN NO. OR DESCRIPTION	REVISED	DATE