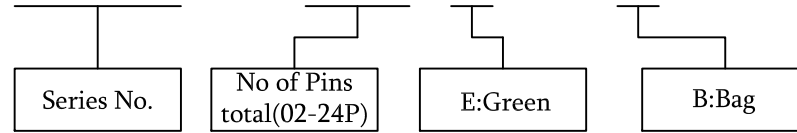


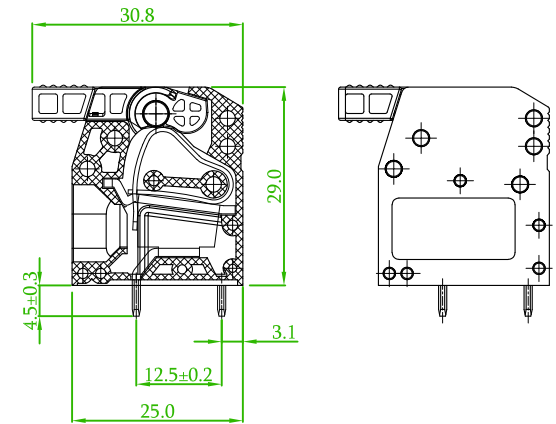
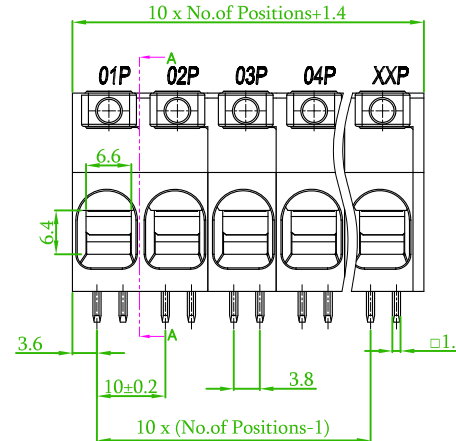
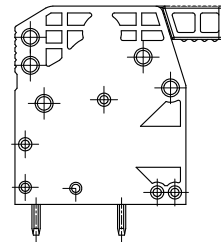
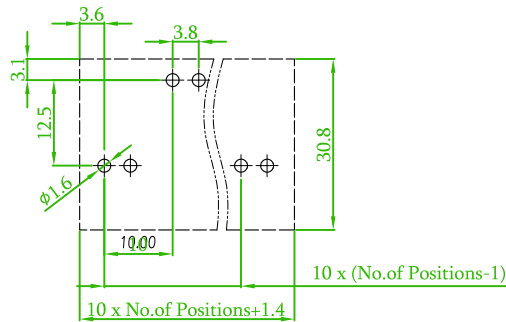
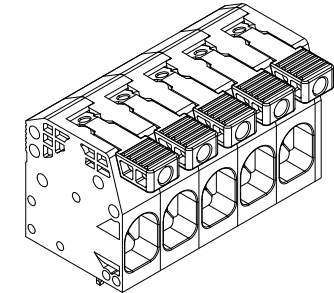
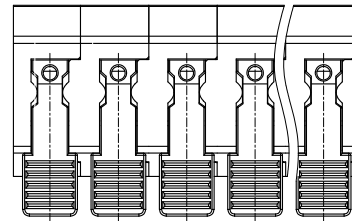
UL/CUL Technical Data		UL 1059		
Use Grop		B	C	D
Rated Voltage (V)	600	600	/	/
Rated Current (A)	51	51	/	/
Wire Range (AWG)	18-4			
Withstanding Voltage	2200V/1Min			
IEC Technical Data		IEC60947-7-4		
Overvoltage Category	III	III	II	
Contamination Class	3	2	2	
Rated Voltage (V)	1000	1000	1000	
Rated Current (A)	76	76	76	
Withstanding Voltage (KV)	8.0	8.0	8.0	
Solid (mm ²)	0.2-16			

ORDER INFORMATION

5 T R 1 0 0 R - 2 4 0 N X X E L B - 0 1



MATERIAL
Housing: PA, UL94V-0
Contactor Material: Copper Alloy
Contactive Coating: Sn Plated
Stripping Length: 17-18mm
Operating Temperature: -40°~105°



Recommended P.C.B Layout
(PCB TOLERANCE±0.1)

linear dimension(Tolerances Standard GB/T 14486-2008)											≡	—	□	//	⊥	
variable range	to 6	over 6 to 10	over 10 to 18	over 18 to 30	over 30 to 50	over 50 to 80	over 80 to 120	over 120 to 160	over 160 to 200	over 200 to 250	over 250 to all	to 5	over 5 to 30	over 30 to 120	over 120 to	
tolerance	±0.1	±0.14	±0.19	±0.25	±0.32	±0.43	±0.57	±0.72	±0.88	±1.05	±1.25	0.5	0.025	0.06	0.12	0.4
REV.	ECN NO. OR DESCRIPTION											REVISED	DATE			

糧德精密有限公司
Amtek Technology Co., Ltd.
TEL: 886-2-2260-6878
FAX: 886-2-2260-8030

品名 TITLE	10.0mm Terminal Block				頁數 Page	1/1
品號 PART NO.	5TR100R-240NXXELB-01				繪圖 DRAWN	Mia 2018/04/10
圖號 DRAWING NO.	GN011-MD065	版本 REV.	A	核對 CHECKED	Josh 2018/04/10	
客戶品號 CUSTOMER P/N		比例 SCALE	None	承認 APPROVED	Jason 2018/04/10	
公差 TOLERANCE		單位 UNIT	mm	THIRD ANGLE PROJECTION		