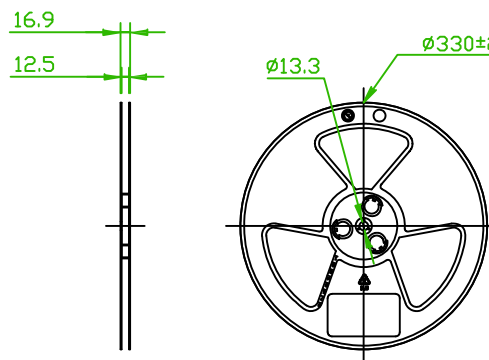
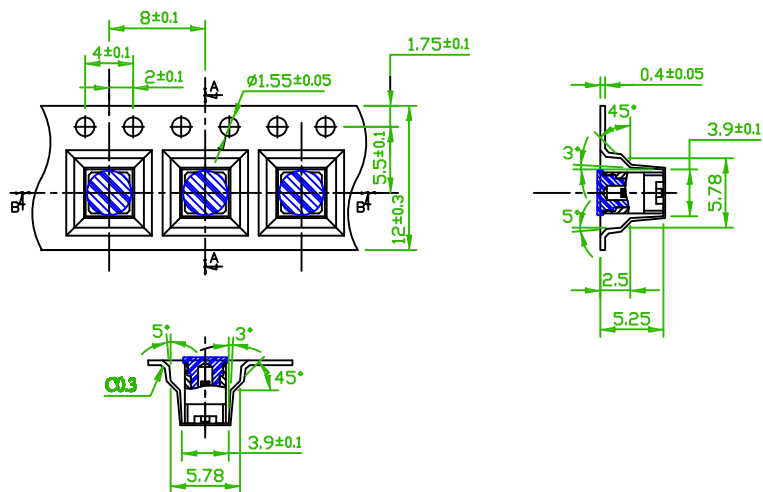
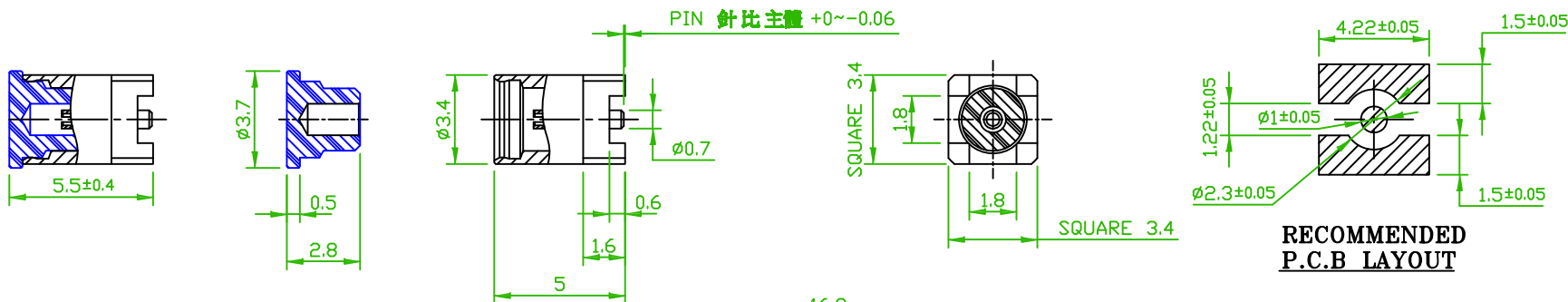
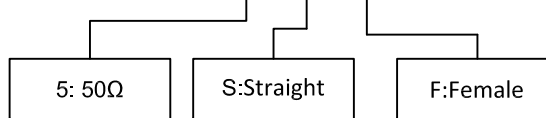


NOTE

Package:62DMC-5SF005 Add Cap Tape&Reel

ORDER INFORMATION

6 2 D M C - 5 S F 0 0 7



REEL DETAIL <UNIT PER REEL: 1500pcs>

04	INSULATOR CAP	TEFLON	1	
03	CENTER PIN	BERYLLIUM COPPER	1	GOLD
02	INSULATOR	TEFLON	1	
01	BODY	BRASS	1	GOLD
NO	DESCRIPTION	MATERIAL	Q'TY	FINISH

<p>糧德精密有限公司 Amtek Technology Co., Ltd. TEL: 886-2-2260-6878 FAX: 886-2-2260-8030</p>	品名 TITLE	50 Ohm MMCX CONN STRAIGHT TYPE Female			頁數 Page	1/1
	品號 PART NO.	62DMC-5SF007			繪圖 DRAWN	Athena 2015/05/07
	圖號 DRAWING NO.		版本 REV.	A	核對 CHECKED	Wanling 2015/05/07
	客戶品號 CUSTOMER P/N		比例 SCALE	None	承認 APPROVED	Aaron 2015/05/07
	公差 TOLERANCE	±0.1	單位 UNIT	mm	THIRD ANGLE PROJECTION	

REV.	ECN NO. OR DESCRIPTION	REVISED	DATE