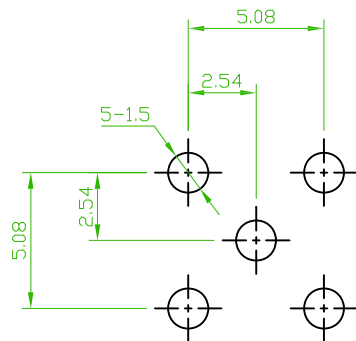
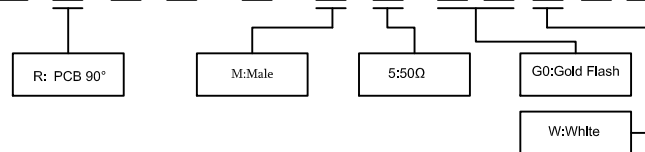
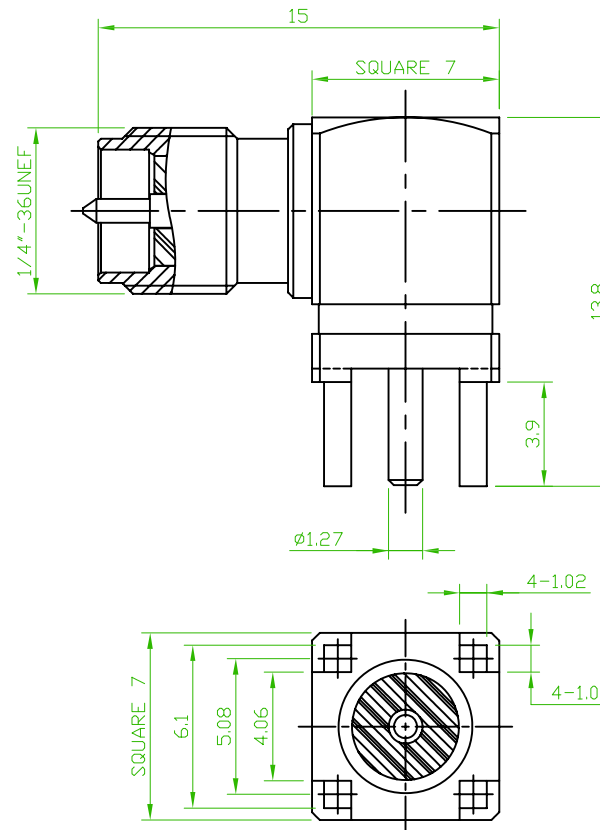


ORDER INFORMATION

6 2 S M A R 2 1 - M 5 G 0 W B 0 1






RECOMMENDED MOUNTING HOLES



05	INSULATOR	TEFLON	1	
04	BODY	BRASS	1	GOLD
03	CENTER PIN	BRASS	1	GOLD
02	INSULATOR	TEFLON	1	
01	BODY	BRASS	1	GOLD
NO	DESCRIPTION	MATERIAL	Q'TY	FINISH

Old Part No. :SMA009A-M5GWG-L

	ECN NO.:170541 Revise the Order Information.:62SMAR21-F5GWN1->62SMAR21-M5G0WB01	Mia	2017/08/25
REV.	ECN NO. OR DESCRIPTION	REVISED	DATE

 糧德精密有限公司 Amtek Technology Co., Ltd. TEL: 886-2-2260-6878 FAX: 886-2-2260-8030	品名 TITLE	SMA CONN. SERIES				頁數 Page	1/1
	品號 PART NO.	 62SMAR21-M5G0WB01			繪圖 DRAWN	Sam 2009/04/06	
	圖號 DRAWING NO.	GW141-MC340	版本 REV.	B	核對 CHECKED	Sam 2009/04/06	
	客戶品號 CUSTOMER P/N		比例 SCALE	None	承認 APPROVED	Paul 2009/04/06	
	公差 TOLERANCE	X ±0.35 .XX ±0.25	單位 UNIT	mm	THIRD ANGLE PROJECTION	