

ORDER INFORMATION

S M A 0 0 9 - F

5

G

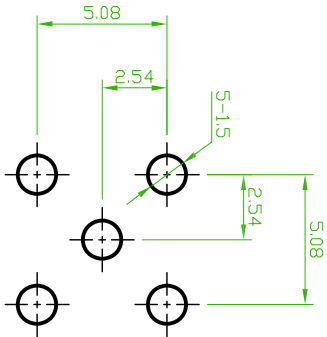
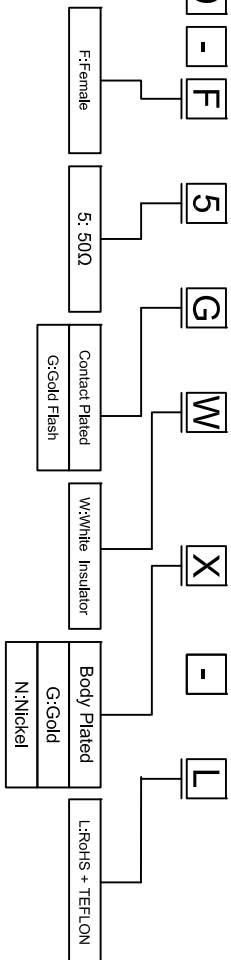
W

X

-

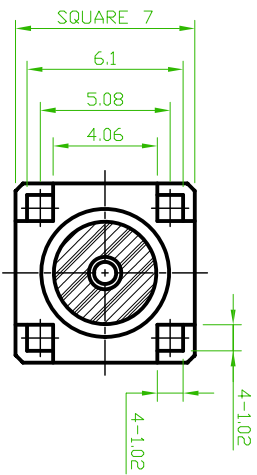
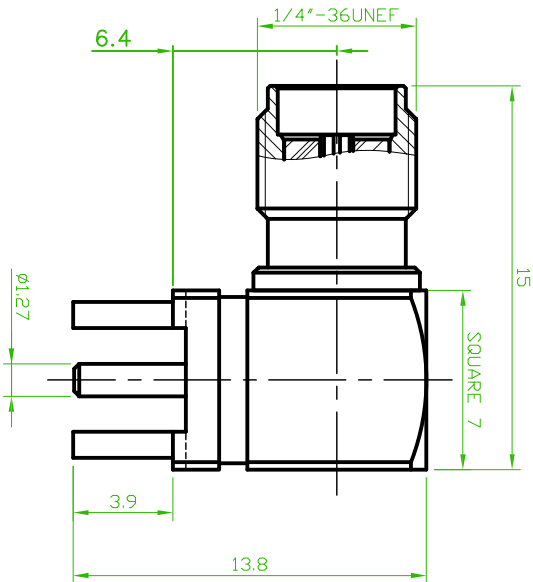
L

©:Standard Recommend



RECOMMENDED MOUNTING HOLES

05	INSULATOR	TEFLON	1	
04	BODY	BRASS	1	GOLD/NICKEL
03	CENTER PIN	PHOSPHOR BRONZE	1	GOLD
02	INSULATOR	TEFLON	1	
01	BODY	BRASS	1	GOLD/NICKEL
NO	DESCRIPTION	MATERIAL	Q'TY	FINISH



B

AREA	REV.	DESCRIPTION	DATE
B		Revised the Table & Part No.: SMA009-F5GW-L -> SMA009-F5GW-L	2011/09/07
			Joe

緯德企業有限公司
 Amitek Technology Co., Ltd.
 TEL: 886-2-2266-8938
 FAX: 886-2-2266-8939

品名 TITLE	RIGHT ANGLE SMA FEMALE PCB MOUNT		
品號 PART NO.	SMA009-F5GW-L		
圖號 DRAWING NO.	版本 REV.	繪圖 DRAWN	日期 DATE
客戶品號 CUSTOMER P/N	B	Sharryn	2010/11/17
公差 TOLERANCE	比例 SCALE	單位 UNIT	核准 CHECKED
.X ±0.40 .XX ±0.20	FREE	mm	Sharryn
			核准 APPROVED
			James