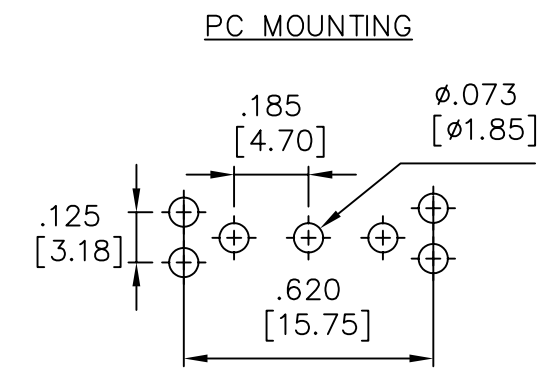
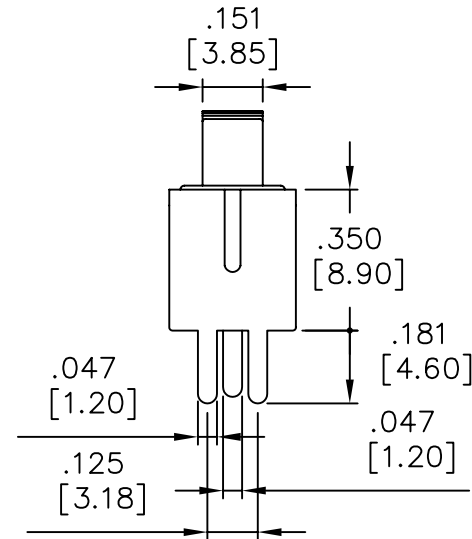
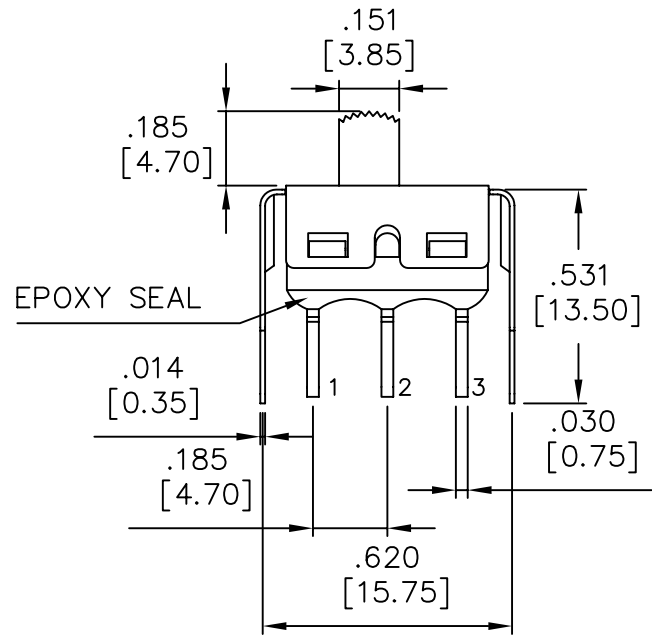


REV. 更改	DESCRIPTION 說明	ENG. 修改人	APPROVE 審核



Model No.	Switching Position		
SSP-1	ON	NONE	ON
SSP-2	ON	NONE	(ON)
SSP-3	ON	OFF	ON
Term. Comm.	2-1	OPEN	2-3

SPECIFICATIONS:

- MOVABLE CONTACT: Copper alloy, silver plated
- TERMINALS: Copper alloy, silver plated
- RATING: 5Amps with resistive load @ 125VAC or 28VDC
2Amps with resistive load @ 250VAC
- CONTACT RESISTANCE: 10m-ohms max. initial
- INSULATION RESISTANCE: 1,000M-ohms min.
- DIELECTRIC STRENGTH: 1,000V RMS @ sea level
- ELECTRICAL LIFE: 50,000 make and break cycles at full load
- OPERATING TEMPERATURE: -30°C to +85°C

ITEM NO.	500-SSP1-S1/2VS2QE
料號	5MS1S120V2QE

THESE DRAWINGS AND SPECIFICATIONS ARE THE PROPERTY OF TAIWAY ELECTRONICS LTD. AND SHALL NOT BE REPRODUCED COPIED OR USED IN ANY MANNER WITHOUT THE PRIOR WRITTEN CONSENT OF TAIWAY ELECTRONICS LTD.

UNLESS OTHERWISE SPECIFIED
DIMENSIONS ARE IN MILLIMETERS
ANGULAR TOLERANCE: ±1.0°

DIMENSIONS	TOLERANCE
0.00 TO 30.00mm	±0.20mm
30.01 TO 80.00mm	±0.25mm
80.01 TO 150.00mm	±0.30mm
150.01 TO	±0.40mm

泰瑋電子有限公司
TAIWAY ELECTRONICS COMPONENTS CO.,LTD.

USED 用途	500	APPD. 審核	Amy 2009/10/06
FINISH 處理		CHKD. 校對	Amy 2009/10/06
SCALE 比例	2 / 1	UNIT 單位	in(mm)
		DR. 製圖	Amy 2009/10/06
TITLE 名稱	SLIDE SWITCH		
DWG NO. 圖號	500-SSP-1-S1/2VS2QE		SIZE 圖紙
FILE NAME 檔案名稱	5MS1V2QE.dwg	SHEET 張	1 / 1
		REV. 更改	1