

Specification:

Contact Resistance: 30m Ohm Max. Δ

Insulation Resistance: 1000M Ohm Min. At 500VDC.

Rated Voltage And Current: 1.5A At 250VAC Minimum.

Dielectric Withstanding Voltage:

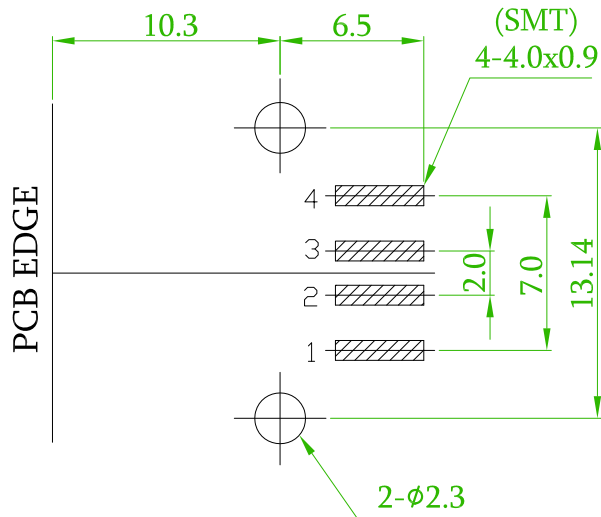
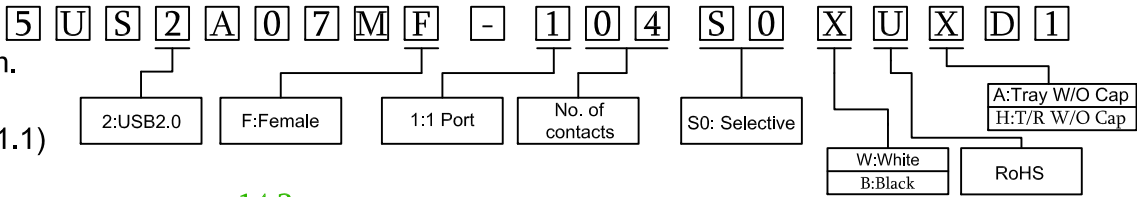
750V AC (rms) for 1 Minute(Rev. 1.1)

Durability (Life Test): 1500 Cycles

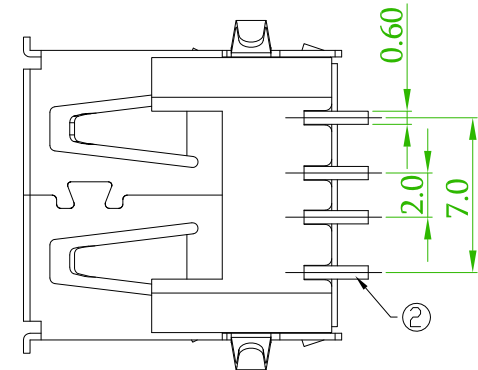
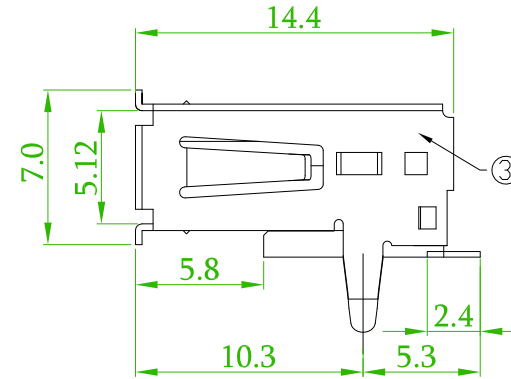
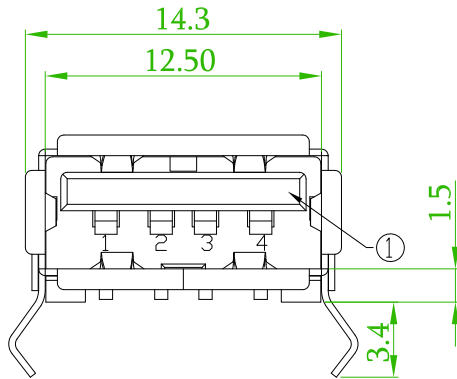
Insertion Force: 35 Newton Maximum.

Extraction Force: 10 Newton Minimum.

ORDER INFORMATION



PCB LAYOUT (BOTTOM VIEW)



Old Part No. :USB-001H-AX-U

NO.	NAME	MATERIAL	FINISH	Q'TY	REMARK
1	HOUSING	NYLON PA9T G.F.	BLACK/WHITE	1	
2	TERMINAL	PHOS. BRONZE T:0.25	GOLD/TIN PLATED	4	Gold:1~3u"; Ni:40~60u"; TIN:120u" (100% pure Tin of lead free plating)
3	SHELL	BRASS T:0.3	NICKEL PLATED	1	Ni:80~120u"

REV.	ECN NO. OR DESCRIPTION	REVISED	DATE
Δ	Add the Option: H:T/R W/O Cap	C	2016/12/01 Jeff
Δ	Revised the Drawing	B	2016/09/07 Jeff

TEL: 886-2-2260-6878
FAX: 886-2-2260-8030

品名 TITLE	USB A TPYE FEMALE SMT 90°				頁數 Page	1/1
品號 PART NO.	5US2A07MF-104S0XUXD1				繪圖 DRAWN	Mia 2015/10/05
圖號 DRAWING NO.	GW216-JF060		版本 REV.	C	核對 CHECKED	John 2015/10/05
客戶品號 CUSTOMER P/N			比例 SCALE	None	承認 APPROVED	John 2015/10/05
公差 TOLERANCE	.X ± 0.25	.XX ± 0.13	單位 UNIT	mm	THIRD ANGLE PROJECTION	