

Specifications

Current Rate:3 AMP
 Insulation Resistance:1000 MΩ Min
 Contact Resistance:20mΩ Max
 Dielectric voltage:1000V AC for one minute
 Operation Temperature:-40°C to +105°C

Material

Insulator Material:High Temperature Thermoplastic, UL 94V-0
 Terminal: Copper Alloy
 Plated: Tin or Gold Plated

ORDER INFORMATION

P S 1 M 4 5 - 2 X X X B X X X - U

No. of contacts per row (01-40)

◎G:Gold Flash GA:5u"	S:Selective SA:5u"
GB:10u"	SB:10u"
GC:20u"	SC:20u"
GD:30u"	SD:30u"
T:Tin Plated	
TE:Tin 200u"	

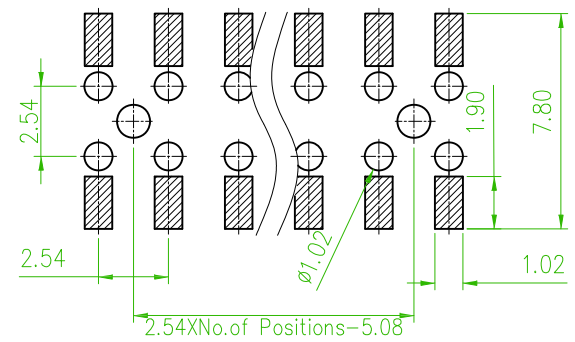
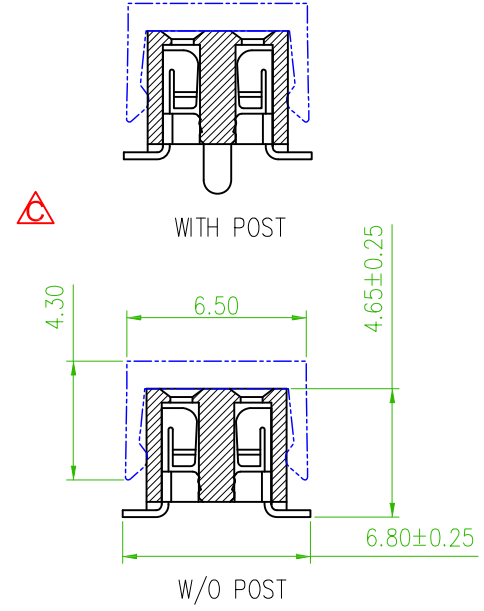
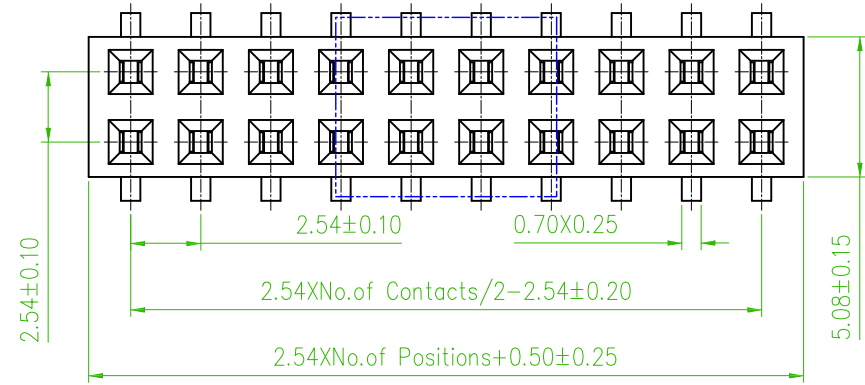
B:Balck insulator

◎O:W/O Cap
C:With Cap

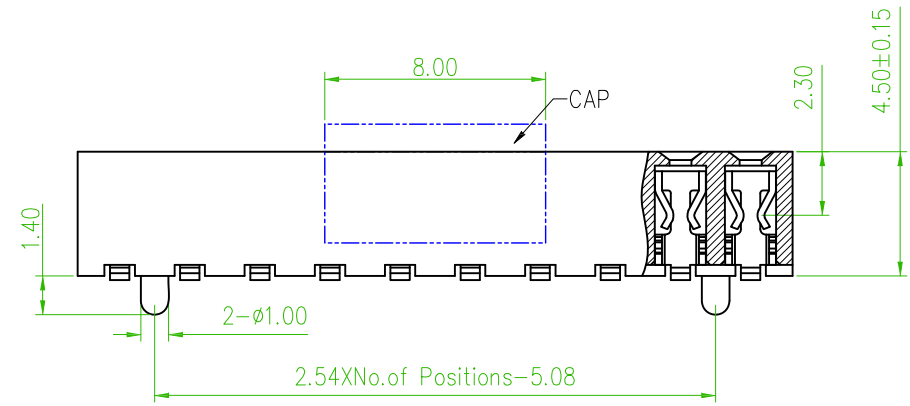
◎P:W/O Peg
R:With Peg

◎T:Tube
R:Taping & Reel

◎:Standard Recommend



Recommended PCB Layout
 (PCB TOLERANCE ±0.05)



<p>Amtek Technology Co., Ltd. TEL:886-2-2260-8878 FAX:886-2-2260-8030</p>	品名 TITLE	FEMALE HEADER 2.54mm PLASTIC HEIGHT 4.5mm SMT				
	品號 PART NO.	PS1M45-2XX-U			日期 DATE	2009/09/09
	圖號 DRAWING NO.	PS1M45-2XX-U	版本 REV.	C	繪圖 DRAWN	Sam
	客戶品號 CUSTOMER P/N		比例 SCALE	FREE	核對 CHECKED	Paul
公差 TOLERANCE	.X ±0.40 .XX ±0.25	單位 UNIT	mm	核准 APPROVED	James	

△	C	Add the Option:P:With Peg	2015/11/20 Roy
△	B	Add the Option:O:W/O Peg	2012/11/12 Jeff
AREA	REV.	DESCRIPTION	DATE