

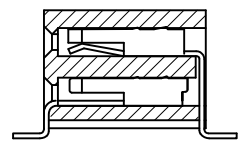
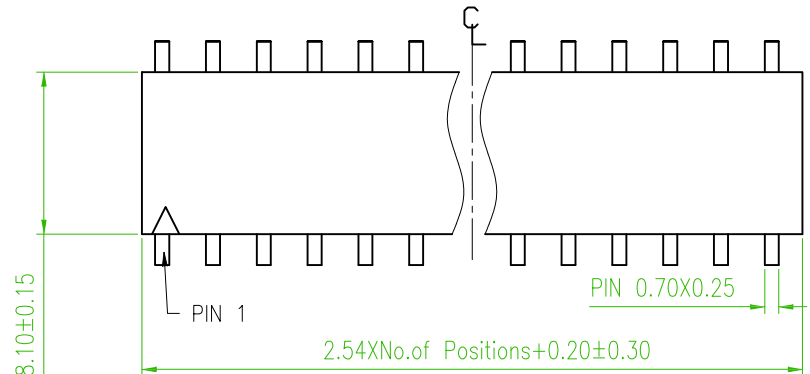
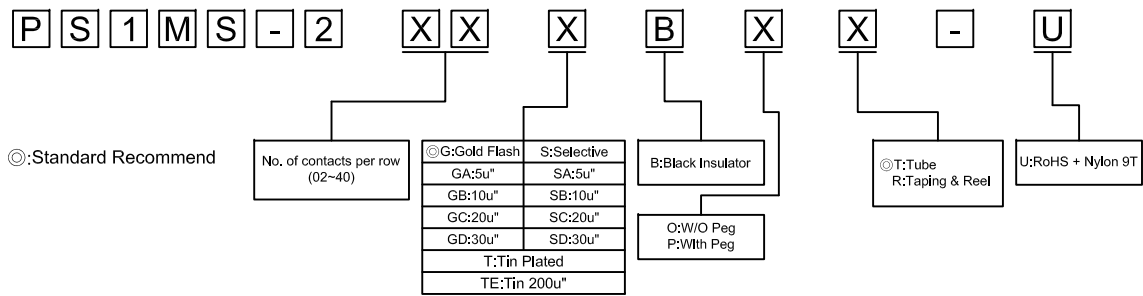
# ORDER INFORMATION

## SPECIFICATION

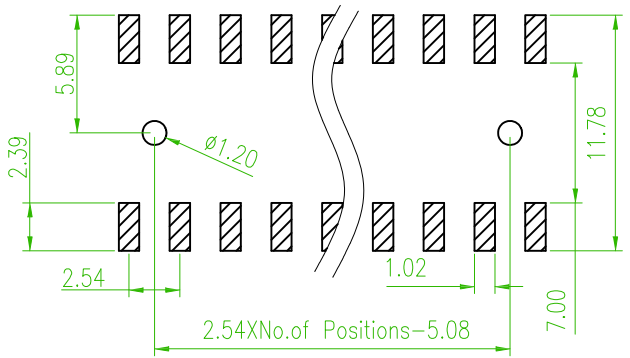
Current Rate: 3 AMP  
 Insulation Resistance: 1000M Ω Min.  
 Contact Resistance: 20m Ω Max.  
 Dielectric voltage: 1000V AC for one minute  
 Operation Temperature: -40°C to +105°C

## MATERIAL

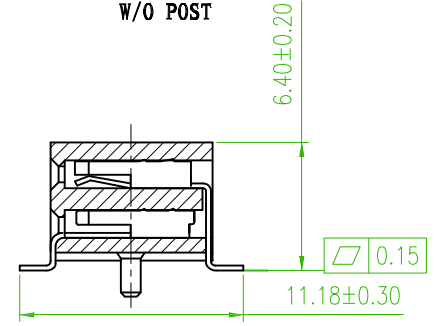
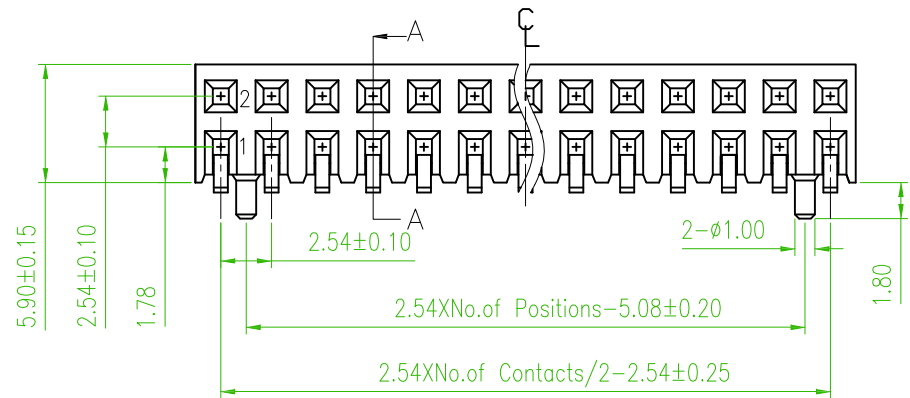
Insulator: Polyester, UL 94V-0  
 Standard: Nylon-9T  
 Contact Pin: Phosphor Bronze



W/O POST



Recommended PCB Layout  
 (PCB TOLERANCE ±0.05)



WITH POST

SECTION: A-A

△	C	Add the Peg option.	2015/10/05
△	B	+0±0.30 → +0.30±0.30	2006/11/10
AREA	REV.	DESCRIPTION	DATE

Amtek Technology Co., Ltd.  
 TEL: 886-2-2260-8878  
 FAX: 886-2-2260-8030

品名 TITLE	FEMALE HEADER 2.54mm SIDE ENTRY SMT				
品號 PART NO.	PS1MS-2XX-U			日期 DATE	11/10/2006
圖號 DRAWING NO.	PS1MS-2XX-U	版本 REV.	C	繪圖 DRAWN	Kent
客戶品號 CUSTOMER P/N		比例 SCALE	1:1	核對 CHECKED	Paul
公差 TOLERANCE	.X ±0.40 .XX ±0.25	單位 UNIT	mm	核准 APPROVED	James