

ORDER INFORMATION

P S 2 B M 2 7 - 2 X X X B X X X - U



SPECIFICATION

Current Rate: 2 AMP
 Insulation Resistance: 1000M Ω Min.
 Contact Resistance: 20m Ω Max.
 Dielectric Voltage: 500V AC for one minute
 Operation Temperature: -40°C to +105°C

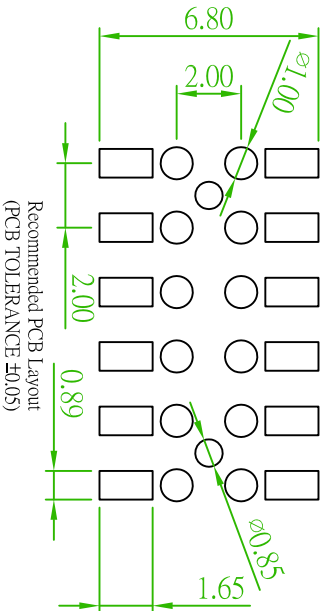
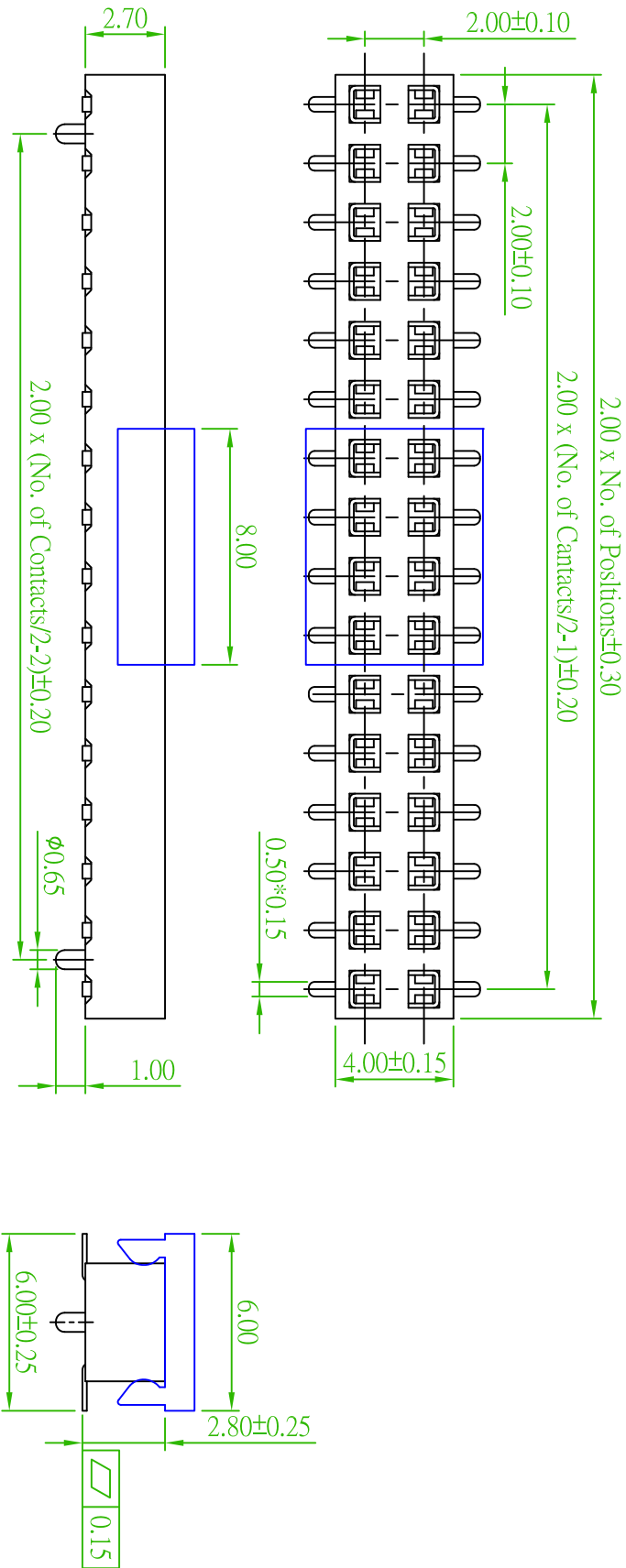
MATERIAL

Insulator: High Temperature Thermoplastic, UL 94V-0
 Terminal: Copper Alloy
 Plated: Gold Plated

Standard Recommend

<input type="checkbox"/> 2: Dual rows	<input type="checkbox"/> S: Selective	<input type="checkbox"/> O: W/O Cap	<input type="checkbox"/> T: Tube
<input checked="" type="checkbox"/> 3: Gold Flash	<input type="checkbox"/> SA: Selective 5u"	<input type="checkbox"/> C: With Cap	<input type="checkbox"/> P: With Peg
<input type="checkbox"/> GA: Gold 5u"	<input type="checkbox"/> SB: Selective 10u"	<input type="checkbox"/> P: With Peg	<input type="checkbox"/> R: Traping & Reel
<input type="checkbox"/> GB: Gold 10u"	<input type="checkbox"/> SC: Selective 20u"	<input type="checkbox"/> B: Black Insulator	
<input type="checkbox"/> GC: Gold 20u"	<input type="checkbox"/> SD: Selective 30u"		
<input type="checkbox"/> GD: Gold 30u"			

T: Tin Plated



△	C	Delete the option: TE: Tin 200u"	2010/06/04
△	B	PS2M27B-2XX-U → PS2BM27-2XX-U	05/13/2008
AREA	REV.	DESCRIPTION	DATE

		緯德精密有限公司 Amitek Technology Co., Ltd. TEL: 886-2-2768-8055 FAX: 886-2-2768-8055	
品名	TITLE	FEMALE HEADER 2.0mm PLASTIC HEIGHT 2.7mm	
品號	PART NO.	PS2BM27-2XX-U	
圖號	DRAWING NO.	PS2BM27-2XX-U	
客戶品號	CUSTOMER P/N	.X ±0.25	
公差	TOLERANCE	.XX ±0.20	
版本	REV.	C	繪圖
比例	SCALE	FREE	核對
單位	UNIT	mm	核對
日期	DATE	05/19/2008	繪圖
核對	CHECKED	Paul	核對
核准	APPROVED	James	核准