
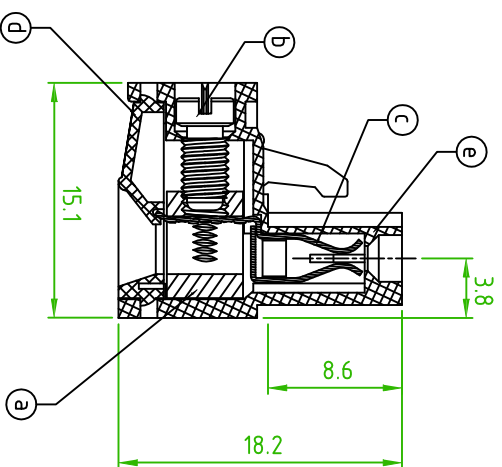
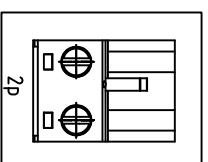
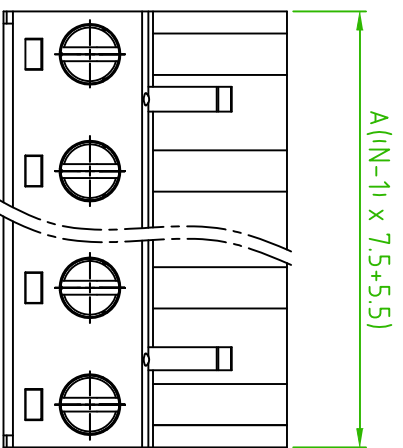
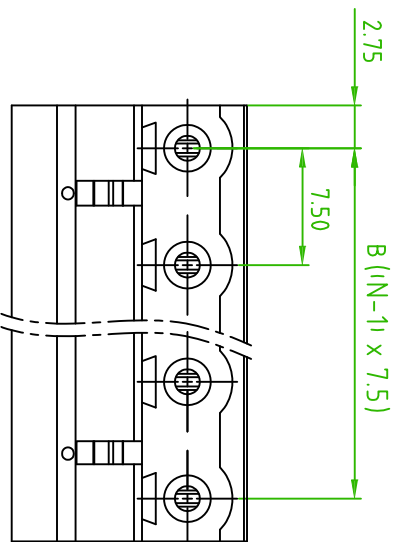


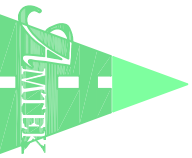
- Material
- Item ③ Clamp: Brass(CuZn) Ni plated
  - Item ④ Terminal screw: Steel Zinc plating "-" slot type
  - Item ⑤ Female contact: Ph8z ,Tm plated
  - Item ⑥ Terminal Cover: Thermoplastic (UL94V-0)
  - Item ⑦ Terminal housing: Thermoplastic (UL94V-0)

Electrical cULUs

- Voltage rating: 300VAC
- Current rating: 20A
- Wire range:
- Solid wire(AWG): 12-24
- Stranded wire(AWG): 12-24
- Torque: 5Lb-In
- Screw: M3
- Wire strip length: 7-8mm
- Withstanding Voltage: 16kV
- Operating temperature: -40°C to +115°C
- Safety Approval:  cULus



AREA	REV.	DESCRIPTION	DATE

  
**耀德企業有限公司**  
 Amtek Technology Co., Ltd.  
 TEL: 886-2-2768-8036  
 FAX: 886-2-2768-8035

品名 TITLE	TB2EK-7.5-XXP-1X-00A-L		
品號 PART NO.	TB2EK-7.5-XXP-1X-00A-L		
圖號 DRAWING NO.	版本 REV.	繪圖 DRAWN	日期 DATE
客戶品號 CUSTOMER P/N	A	Joe	2010/08/02
公差 TOLERANCE	.X ±0.20	比例 SCALE	核對 CHECKED
	.XX ±0.15	單位 UNIT	Sharron
	mm	核准 APPROVED	James